



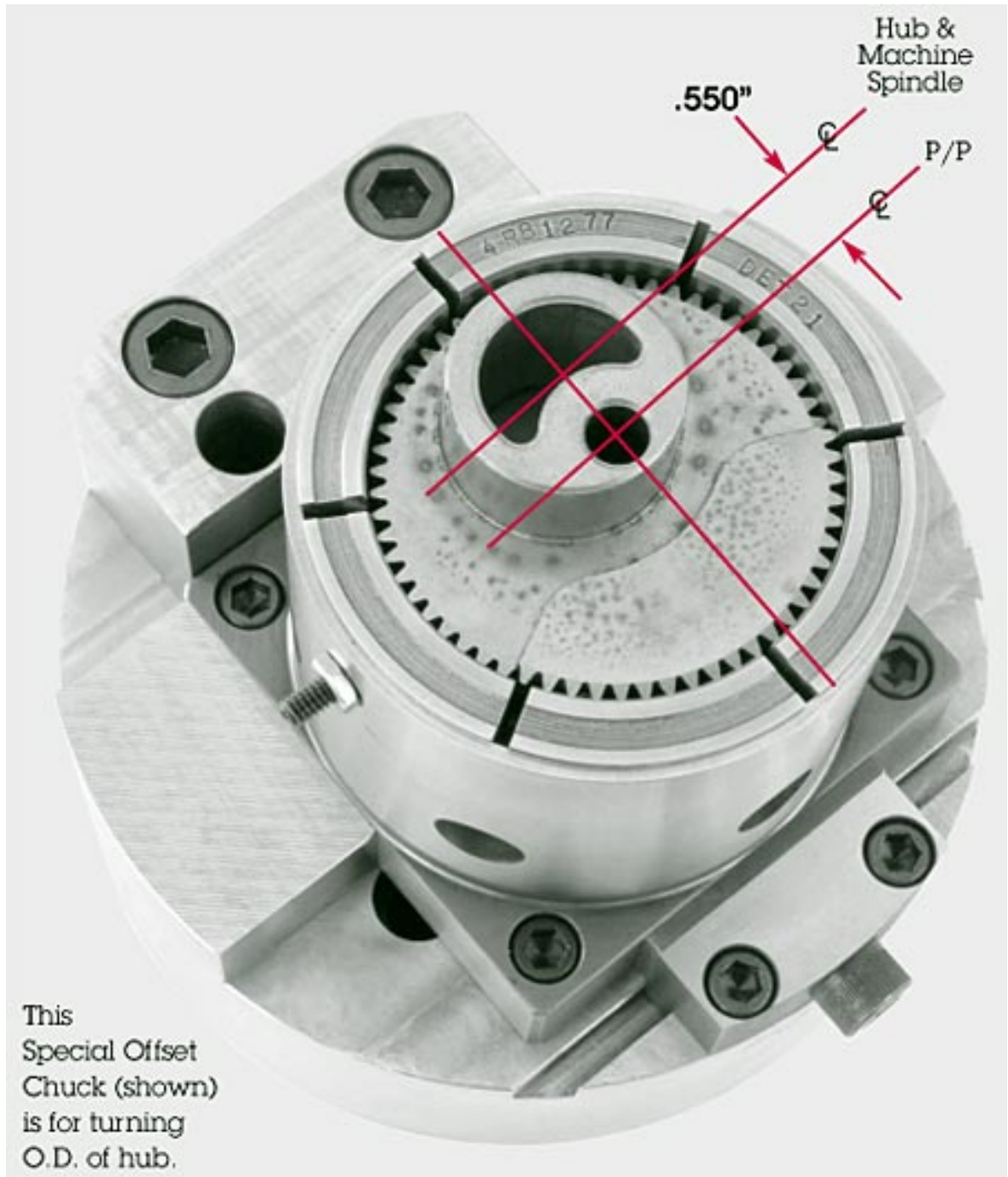
RB MACHINE & DESIGN INC.

RB ECCENTRIC CHUCKS

These eccentric chucks are used in turning and grinding operations.

One example would be the machining of crankshafts.

Final balancing of chuck may be necessary at customer's facility.



Send your prints or specifications for a complete review. With over 20 years of reliable experience, we respond promptly with intelligent and practical solutions. Simply telephone, EMail or FAX.

